

URANYUS[®]

HEATING SOLUTIONS



2017

URANYUS, heating solutions expert

Uranyus is a manufacturer dedicated to the manufacture of equipments and heating solutions. Uranyus supports the current trends and is comprised of a dynamic technical team which is in constant evolution. Uranyus guarantees rigorous solutions that unite innovation and simplicity without forgetting design and with a constant environmental concern.

Environmental policy considers ecoefficiency as a management reference. Our approach is centred on the environmental approach because we believe it represents a strategic factor for the competitiveness and for the creation of value, not only for us as a company but also for society as a whole, thus Uranyus has a vast range of products that do not produce pollutant residues.



INDEX

BOILERS AND THERMAL GROUPS

THERMAL UNIT LIGHT OIL KEELEY	6
INDUSTRIAL BOILER BELL	10

SOLID FUELS

WOOD BOILER MOSS	14
PELLETS BOILER KARIMA	16
PELLETS BURNER	18
SILO FOR PELLETS	19

WOOD FIREPLACE INSERT

INSERT (WATER) ALESSANDRA	22
INSERT (WATER) ADRIANA	23
INSERT (WATER) GLOVER	24
INSERT (AIR) CARA	25
INSERT (AIR) DOUTZEN	26
INSERT (AIR) NATALIA	27
INSERT (AIR) GISELE	28
INSERT (AIR) MIRANDA	29
INSERT (AIR) KATARINA	30
INSERT (AIR) KARINA	31
INSERT (AIR) KATE	32
INSERT (AIR) KARLIE	33
INSERT (AIR) KENDALL	34
INSERT (AIR) LIU	35
INSERT (AIR) LARA	36

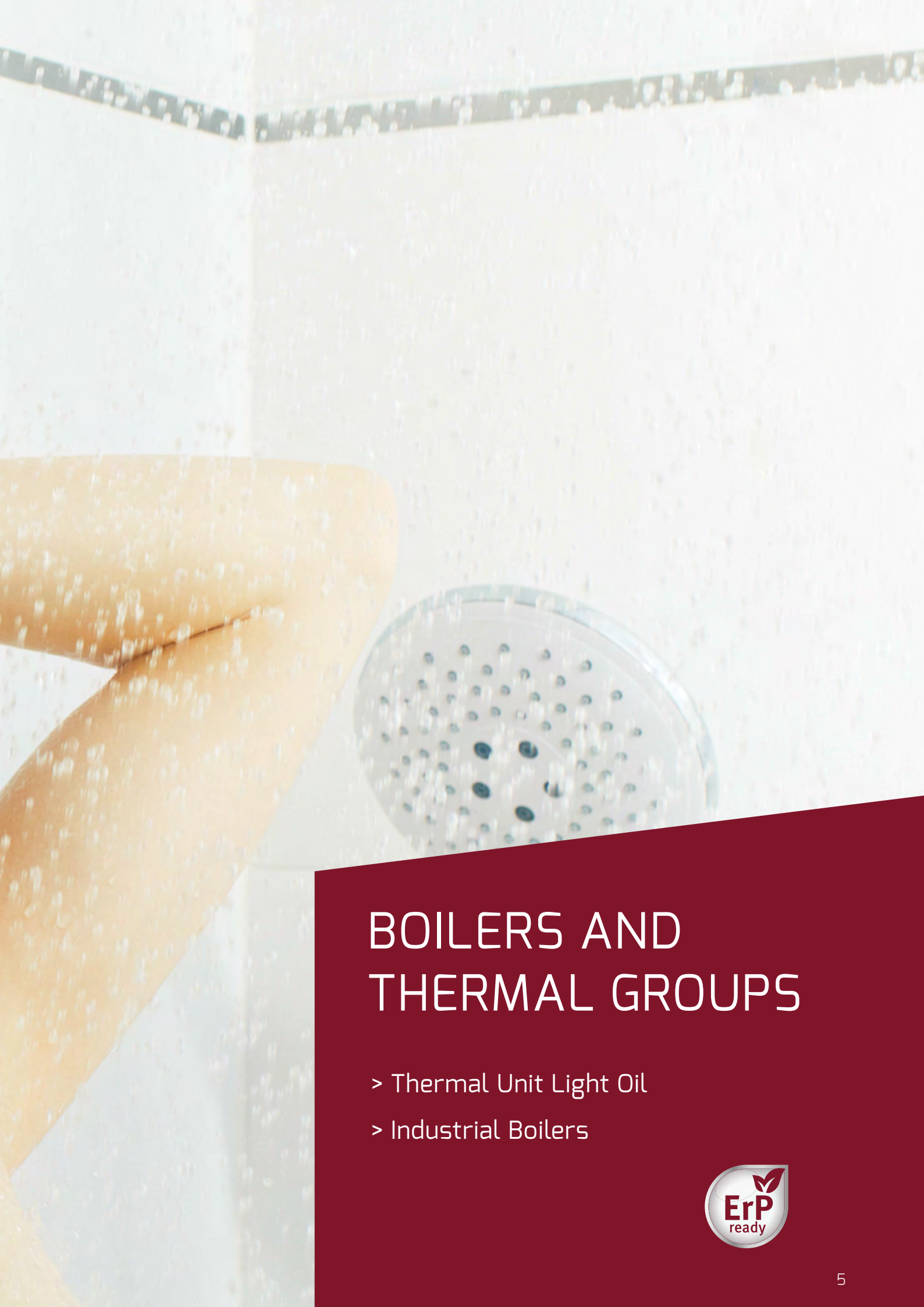
WOOD STOVES

WOOD STOVE (AIR) JOAN	37
WOOD STOVE (AIR) JOURDAN	38
WOOD STOVE (AIR) CANDICE	39
WOOD STOVE (AIR) CRINGLYN	40
WOOD STOVE (AIR) OFÉLIA	41



URANYUS
HEATING SOLUTIONS





BOILERS AND THERMAL GROUPS

- > Thermal Unit Light Oil
- > Industrial Boilers



THERMAL UNIT LIGHT OIL

Keeley



MAIN FEATURES



Boiler body in cast iron



Three smoke passageways



Electronic Digital Control Board



External finishing with elegant design and colours



High Efficiency Circulating Pump



The body's design facilitates maintenance and cleaning



Excellent thermal and acoustic insulation



High protection against external agents

BODY IN CAST IRON

The elements of the boiler body are made in cast iron, with three smoke passageways that optimize energy efficiency.



ECOFLAM BURNER

Last generation fuel burner with high air suction power and quiet operation.

ELECTRONIC DIGITAL CONTROL BOARD

The Electronic Control Board analyzes the information received from various components and ensures optimal management of the boiler. The self-diagnosis function informs all malfunctions by means of messages and acoustic warnings 24 hours a day and 365 days a year, the Electronic Control Board works to provide comfort, economy and safety.



ERP READY



The boilers fully comply the new European Energy Directive (ErP-EuP), which translates into a high level of efficiency and sustainability.



HIGH EFFICIENCY CIRCULATING PUMP

The boiler have a High Efficiency Circulating Pump (WILO Yonos PARA). The versions A and AC have 2 circulating pumps.

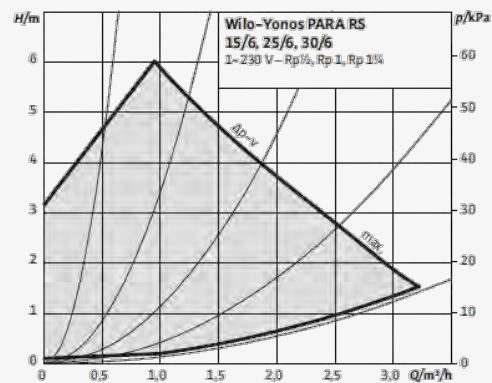
HIGH EFFICIENCY CIRCULATING PUMP

Wilo Yonos PARA RS



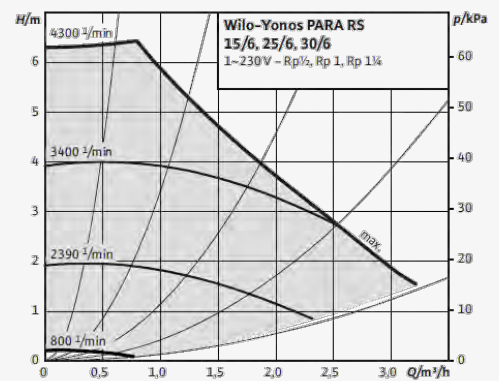
Variable speed mode

$\Delta p-v$ (variable)



Constant speed mode

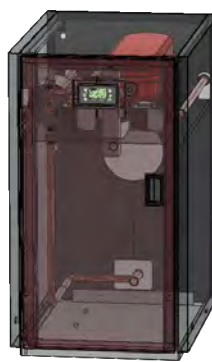
Constant speed I, II, III



VERSIONS AND PRICES



KEELEY-C
Central Heating



KEELEY-A
Central Heating and
Instantaneous Domestic
Hot Water



KEELEY-AC
Central Heating and Production of
D.H.W. with external accumulation
(Water boiler not included)

Model	Power	D.H.W. Production $\Delta T=30^{\circ}\text{C}$ (lts/min)	Energy Efficiency Class		Code	Price
	kW		Heating	D.H.W.		TVA
KEELEY 25 C	25	-	B	-	01-0001	1.636,27€
KEELEY 25 A	25	12	B	B	01-0002	1.900,50€
KEELEY 25 AC	25	-	B	-	01-0003	1.770,15€
KEELEY 32 C	32	-	B	-	01-0004	1.793,97€
KEELEY 32 A	32	15	B	B	01-0005	2.060,25€
KEELEY 32 AC	32	-	B	-	01-0006	1.928,82€
KEELEY 40 C	40	-	B	-	01-0007	1.894,98€
KEELEY 40 A	40	19	B	B	01-0008	2.163,37€
KEELEY 40 AC	40	-	B	-	01-0009	2.030,80€
Kit Estanque (KEELEY 25)					01-0010	20,80€
Kit Estanque (KEELEY 32 e 40)					01-0011	20,80€

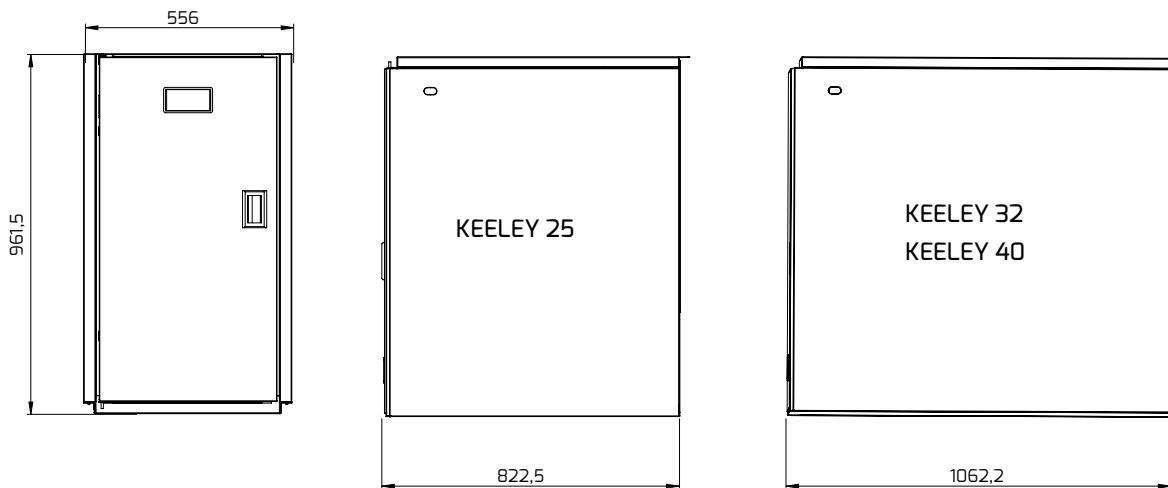
TECHNICAL DATA

Models	UNITS	KEELEY 25	KEELEY 32	KEELEY 40
Body Elements		3	4	5
Thermal Power	kW/kcal/h	25 / 21.500	32 / 27.500	40 / 34.400
Efficiency	%	91	92,8	90,3
Injector Included		0,65 x 80 ^e	0,75 x 60 ^e	0,75 x 60 ^e
Consumption injector	kg/h	1,5 - 3,5	1,7 - 5	1,7 - 5
Type of fuel		Diesel	Diesel	Diesel
Temperature of Combustion Gases	°C	187	185	182
Loss of Gas Pressure	mbar	0,31 - 0,46	0,42 - 0,59	0,61 - 0,89
Total Volume of the Smoke Circuit	m ³	0,024	0,033	0,043
Combustion Chamber Diameter/Depth	mm	290 / 280	290 / 380	290 / 480
Combustion Chamber Volume	m ³	0,017	0,023	0,030
Burner		Ecoflam	Ecoflam	Ecoflam
Weight	kg	165	195	225
HYDRAULIC DATA				
Primary Circuit Fluid		Water Anti-Corrosive and Anti-Freeze		
Temperature in the Primary Circuit	°C	70-90	70-90	70-90
Activation Temperature of the Safety Thermostat	°C	100	100	100
Maximum Pressure in the Primary Circuit bar	bar	3	3	3
Body Test Pressure bar	bar	5,2	5,2	5,2
Loss of Load in the Primary Circuit	mbar	1,5	1,8	2,2
Water Volume	lts	13,74	17,38	21,02
DHW PRODUCTION				
Continuous Production of DHW $\Delta T=30^{\circ}C$	lts/min	12	15	19
D.H.W. Maximum Pressure	bar	6	6	6
ELECTRICAL DATA				
Power Supply	V/Hz/F	230/50/1~	230/50/1~	230/50/1~
EXHAUST AND VENTILATION				
Diameter Smoke Exit	mm	130	130	150
Minimum Chimney Diameter	mm	150	150	175
Minimum Height	m	> 5	> 5	> 5
Diameter of Air Admission	mm	> 213	> 279	> 348

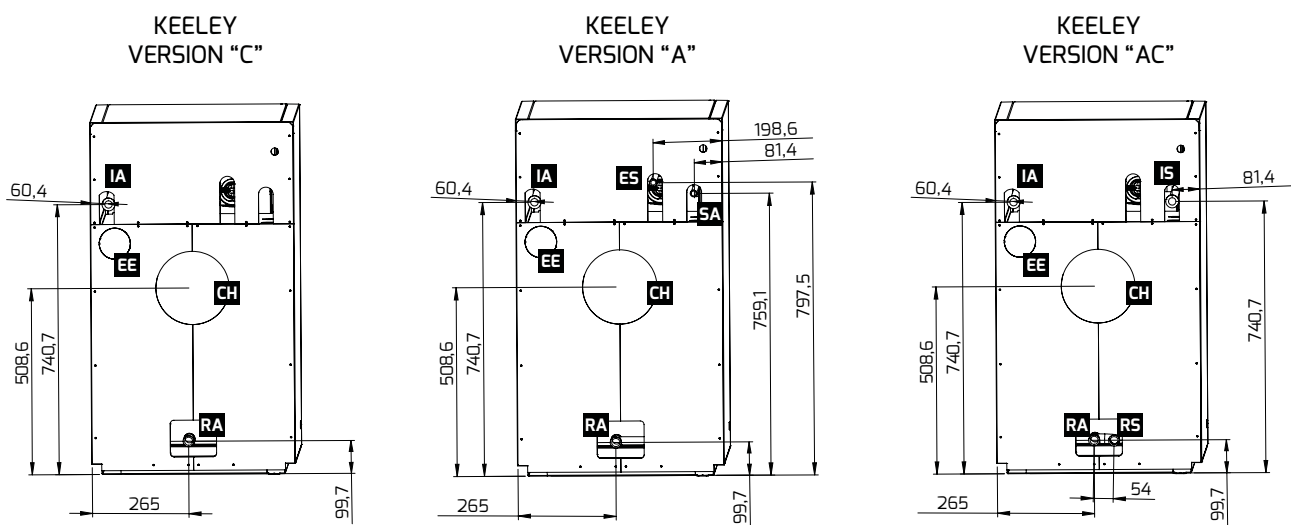
ELEMENTS

ELEMENTS	KEELEY C	KEELEY A	KEELEY AC
Body in cast iron	•	•	•
Diesel burner	ECOFLAM	ECOFLAM	ECOFLAM
Heating Expansion Vessel	12 Liters	12 Liters	12 Liters
Heating Circulating Pump	WILO YONOS-PARA	WILO YONOS-PARA	WILO YONOS-PARA
D.H.W. Production Circulating Pump		WILO YONOS-PARA	WILO YONOS-PARA
Triple Pass Exchanger (D.H.W. Production)		•	
Electronic Digital Control Board	•	•	•
Pressure Transducer	•	•	•
Fluxostat		•	
Automatic Air Purge	•	•	•
Safety valve 3 bar	•	•	•
Primary Circuit Filling Valve		•	
Body probe	•	•	•
D.H.W. probe		•	•
Connection to External Probe (Water Boiler - not included)			•
Thermostat connection / Chronothermostat Environment	•	•	•
Tight Kit - Optional	•	•	•

DIMENSIONS (mm)



HYDRAULIC CONNECTIONS (mm)



MEASURES		UNITS	VERSION "C"	VERSION "A"	VERSION "AC"
ES	Cold Water Inlet	"	-	1/2" FEMALE	-
SA	Hot Water Outlet	"	-	1/2" FEMALE	-
IA	Heating Impulsion	"	1" FEMALE	1" FEMALE	1" FEMALE
RA	Heating Return	"	1" FEMALE	1" FEMALE	1" FEMALE
IS	Impulsion External Water Boiler	"	-	-	1" FEMALE
RS	Return External Water Boiler	"	-	-	1" FEMALE
EE	Air Inlet (Tight Version)	mm	85	85	85
CH	Smoke Exit			130	
				150	

INDUSTRIAL BOILER

Bell



MAIN FEATURES



Steel Plate Body



Analog Control Board (Optional)



Power range
80 to 2907kW



External finishing with elegant design and colours



High protection against external agents



The body's design facilitates maintenance and cleaning



Excellent thermal and acoustic insulation



ANALOG CONTROL BOARD (OPTIONAL)

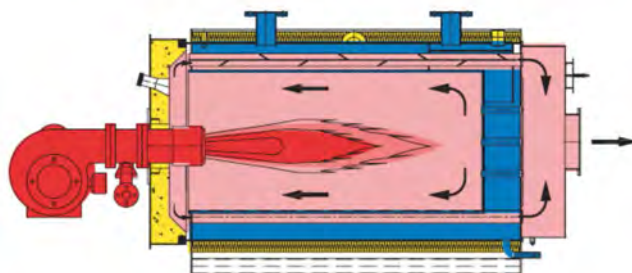
Supplied with thermostat of 1st flame, thermostat of 2nd flame, safety thermostat, on/off button, on/off pilot, 1st chamber pilot, 2nd chamber pilot, alarm pilot for excess of temperature and thermometer. Included in the boilers range of medium and high powers.

STEEL PLATE BODY

The Bell boilers are built in high quality steel plate.

BURNER (OPTIONAL)

They can work with Diesel or Gas burners with 1 or 2 flame stages.



VERSIONS AND PRICES

Model	Thermal Power		Efficiency	Service pressure	Dimensions (WxHxD)	Code	Price
	kW	kcal/h					
BELL 70	70	68,800	93,9	4	900x860x1070	04-0001	1.517,59€
BELL 93	93	79,980	93	4	900x860x1070	04-0002	1.549,76€
BELL 116	116	99,760	92,5	4	900x860x1305	04-0003	1.821,46€
BELL 151	151	129,860	92,6	4	920x880x1370	04-0004	1.946,59€
BELL 186	186	159,960	92,7	4	1050x970x1385	04-0005	2.284,43€
BELL 232	232	199,520	92,8	4	1050x970x1385	04-0006	2.397,04€
BELL 290	290	249,400	92,3	4	1060x970x1665	04-0007	2.813,53€
BELL 372	372	319,920	91,5	4	1090x1030x1810	04-0008	3.610,75€
BELL 465	465	399,900	90,6	4	1150x1130x2036	04-0009	4.517,01€
BELL 581	581	499,660	90,5	6	1150x1130x2247	04-0010	5.221,29€
BELL 744	744	639,840	90,3	6	1370x1280x2497	04-0011	7.164,30€
BELL 930	930	799,800	90,1	6	1370x1380x2910	04-0012	8.973,25€
BELL 1162	1162	999,320	91	6	1520x1490x2945	04-0013	11.032,45€
BELL 1453	1453	1.249,580	92	6	1605x1545x3206	04-0014	12.616,18€
BELL 1860	1860	1.599,600	93,5	6	1730x1780x3525	04-0015	16.176,88€
BELL 2325	2325	1.999,500	93,8	6	1865x1815x3545	04-0016	18.393,38€
BELL 2907	2907	2.500,020	94,1	6	2020x1960x3915	04-0017	23.226,78€

COMPLEMENTS

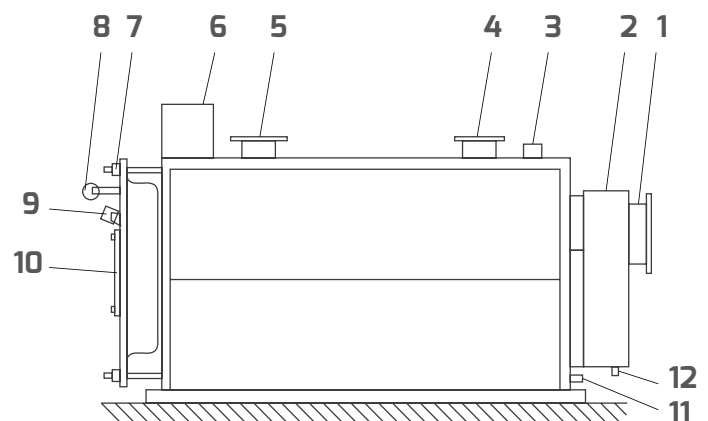
Model	Code	Price (TVA)
Bell Analog Control Board	04-0018	234,36€



BOILER ELEMENTS

Elements:

1. Chimney duct outlet
2. Smoke box
3. Expansion line
4. Cold water return
5. Hot water outlet
6. Control panel
7. Door hinge
8. Handle
9. Observation port
10. Burner adapter flange
11. Drain/filling nozzle
12. Condensate drain nozzle



URANYUS

HEATING SOLUTIONS



A close-up photograph of a tree trunk with a hand touching the bark for scale. The bark is dark brown and deeply textured with vertical ridges and grooves. A hand is visible in the lower-left corner, with fingers spread against the bark. The background is slightly blurred, showing more of the tree trunk and some green leaves on the right side.

SOLID FUELS









- > Wood Boiler
- > Pellets Boiler
- > Pellets Burner
- > Silo for Pellets



WOOD BOILER
Moss



MAIN FEATURES

-  Boiler body in cast iron
-  High combustion efficiency
-  Available versions 3 to 10 elements
-  Large size combustion chamber
-  Power range 28 to 73kW
-  Easy installation, use and maintenance
-  Glass Wool Insulation of 80mm
-  Large size double loading door

BOILER BODY IN CAST IRON

The boiler body is constructed in high quality cast iron, which results in high combustion efficiency. There are available versions from 3 to 10 elements, and an power range from 28 to 73kW.

VARIOUS FUELS

The boiler allows the use of various fuels such as: Wood and Coal.



CHIMNEY FLAP

The boiler is equipped with a chimney flap, located at the back of the boiler, near the chimney outlet. This chimney flap allows the smoke control to be regulated.



AUTOMATIC FIRING REGULATOR

Check the air intake in the combustion chamber. This combustion modulation system allows for high fuel savings. This accessory is included with the boiler.



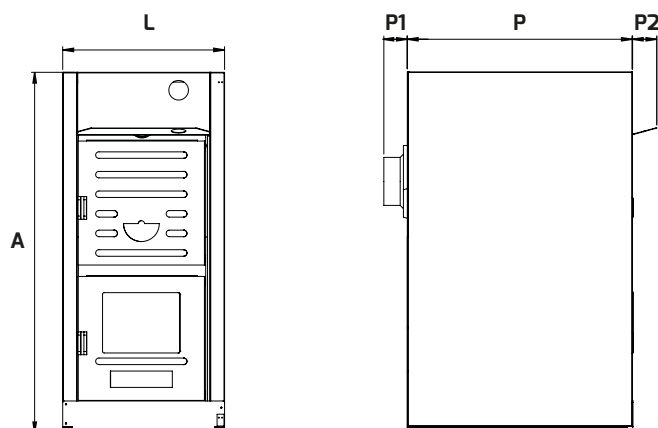
ADDITIONAL FRONT DOOR

An additional front door (optional) is available for the boiler, which translates into an aesthetic improvement and boiler efficiency increase.

TECHNICAL DATA

Models		MOSS 18	MOSS 24	MOSS 31	MOSS 38	MOSS 45	MOSS 52	MOSS 65
Body Elements		3	4	5	6	7	8	10
Fuel		wood/coal						
Nominal Power (Coal)	kW	17 - 21	24 - 28	31 - 35	39 - 42	46 - 50	54 - 58	68 - 73
Nominal Power (Wood)	kW	15 - 18	21 - 24	27 - 31	35 - 38	41 - 45	48 - 52	61 - 65
Heating Water Maximum Temp.	°C	90						
Heating Return Water Minimum Temp.	°C	50						
Burning Time For Nominal Output (Coal)	h	> 4						
Burning Time For Nominal Output (Wood)	h	> 2						
Maximum Pressure of System	bar	4						
Minimum Pressure of System	bar	0,5						
Water Volume	lts	14,1	18,2	22,3	26,4	30,5	34,6	42,8
Weight	kg	176	204	232	260	291	323	383
Exite Flue Gas Temperature	°C	210 - 305						
Minimum Chimney Depression	mbar	< 0,15	< 0,17	< 0,19	< 0,21	< 0,24	< 0,26	< 0,29
Price	TVA	1.179,40€	1.351,25€	1.532,22€	1.789,95€	1.945,63€	2.148,31€	2.452,94€
Code		03-0001	03-0002	03-0003	03-0004	03-0005	03-0006	03-0007

DIMENSIONS (mm)



Models		MOSS 18	MOSS 24	MOSS 31	MOSS 38	MOSS 45	MOSS 52	MOSS 65
Width - L	mm	496	496	496	496	496	496	496
Height - A	mm	1105	1105	1105	1105	1105	1105	1105
Depth - P	mm	490	490	690	690	890	890	1090
Depth - P1	mm	-	75	-	75	-	75	75
Depth - P2	mm	75	75	75	75	75	75	75
Smoke Exit	mm	160	160	160	160	180	180	180
COMBUSTION CHAMBER								
Width	mm	320	320	320	320	320	320	320
Depth	mm	270	370	470	570	670	770	970
Height	mm	447	447	447	447	447	447	447
Charge Volume	dm ³	34	48	63	77	91	105	133
HYDRAULIC CONNECTIONS								
Flow		2"	2"	2"	2"	2"	2"	2"
Return		2"	2"	2"	2"	2"	2"	2"
Drain		1/2"	1/2"	1/2"	1/2"	1/2"	1/2"	1/2"
Thermostat		1/2"	1/2"	1/2"	1/2"	1/2"	1/2"	1/2"
Firing Controller Tap.		3/4"	3/4"	3/4"	3/4"	3/4"	3/4"	3/4"
Safety valve		1/2"	1/2"	1/2"	1/2"	1/2"	1/2"	1/2"

PELLETS BOILER

Karima

MAIN FEATURES



Boiler body in cast iron



High combustion efficiency



Available versions
3 to 7 elements



Electronic Digital
Control Board



Power range
18 to 45kW



Easy installation, use
and maintenance



Glass Wool Insulation
of 80mm



Large silo 200kg of Pellets



BOILER BODY IN CAST IRON

The boiler body is constructed in high quality cast iron, which results in high combustion efficiency. There are available versions from 3 to 7 elements, and an power range from 18 to 45kW.



ELECTRONIC DIGITAL CONTROL BOARD

The electronic controller analyzes the information it receives from the various components and ensures optimal operation management.



HIGH PERFORMANCE PELLET BURNER

The pellet burner is built with high quality components which translates into a high efficiency of more than 90%.

PELLETS SILO WITH LARGE DIMENSIONS

The silo has the capacity for 200kg of pellets. It is possible to provide superior capacity silos (by request).



CHIMNEY FLAP

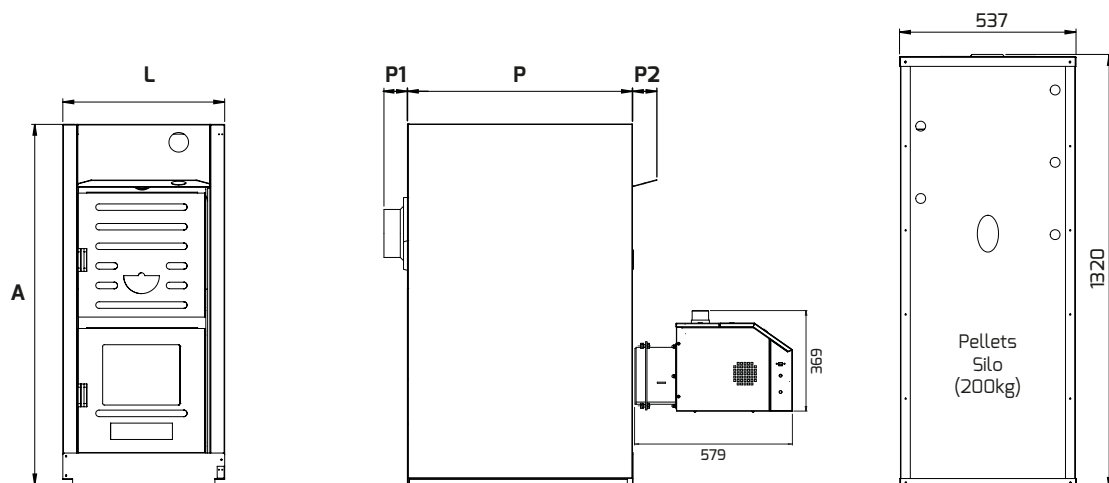
The boiler is equipped with a chimney flap, located at the back of the boiler, near the chimney outlet. This chimney flap allows the smoke control to be regulated.



TECHNICAL DATA

Models		KARIMA 18	KARIMA 24	KARIMA 31	KARIMA 38	KARIMA 45
Body Elements		3	4	5	6	7
Fuel		pellets				
Nominal Power	kW	15 - 18	21 - 24	27 - 31	35 - 38	41 - 45
Pellets Consumption	kg/h	1 - 5	1 - 5	1 - 5	1 - 10	1 - 10
Heating Water Maximum Temp.	°C	90				
Heating Return Water Minimum Temp.	°C	50				
Pellets Silo	kg	200				
Maximum Pressure of System	bar	4				
Minimum Pressure of System	bar	0,5				
Power Supply	V/Hz/F	230/50/1~				
Water Volume	lts	14,1	18,2	22,3	26,4	30,5
Weight	kg	199	227	255	289	320
Exite Flue Gas Temperature	°C	210 - 305				
Minimum Chimney Depression	mbar	< 0,15	< 0,17	< 0,19	< 0,21	< 0,24
Price	TVA	3.153,92€	3.302,85€	3.459,69€	3.924,93€	4.056,29€
Code		02-0001	02-0002	02-0003	02-0004	02-0005

DIMENSIONS (mm)



Models		KARIMA 18	KARIMA 24	KARIMA 31	KARIMA 38	KARIMA 45
Width - L	mm	496	496	496	496	496
Height - A	mm	1105	1105	1105	1105	1105
Depth - P	mm	490	490	690	690	890
Depth - P1	mm	-	75	-	75	-
Depth - P2	mm	75	75	75	75	75
Smoke Exit	mm	160	160	160	160	180
COMBUSTION CHAMBER						
Width	mm	320	320	320	320	320
Depth	mm	270	370	470	570	670
Height	mm	447	447	447	447	447
Charge Volume	dm ³	34	48	63	77	91
HYDRAULIC CONNECTIONS						
Flow		2"	2"	2"	2"	2"
Return		2"	2"	2"	2"	2"
Drain		1/2"	1/2"	1/2"	1/2"	1/2"
Thermostat		1/2"	1/2"	1/2"	1/2"	1/2"
Firing Controller Tap.		3/4"	3/4"	3/4"	3/4"	3/4"
Safety valve		1/2"	1/2"	1/2"	1/2"	1/2"

PELLETS BURNER

Duos



MAIN FEATURES



Power Range
5 to 50kW



High combustion
efficiency (>90%)



Electronic Digital
Control Board



Storage Capacity
Pellets up to 300Lts



High quality
components



Easy installation, use
and maintenance

TECHNICAL DATA

Models		DUOS 35	DUOS 50
Weight	kg	23	29
Height	mm	325	325
Width	mm	305	305
Depth	mm	580	620
Power	kw	5 - 35	15 - 50
Burner Hole	mm	130 x 210	180 x 210
Resistance	W	700	700
Reducer Motor	W	180	180
Fan	W	48	92
Power Supply	V/Hz	230/50	230/50
Price	TVA	1.684,78€	1.870,80€
Code		06-0006	06-0007



PELLETS SILO

U-200



MAIN FEATURES



Construction in high quality of Steel Plate



Large silo 200kg of Pellets



Possibility to connect the fuel transport on the front or top of the silo.

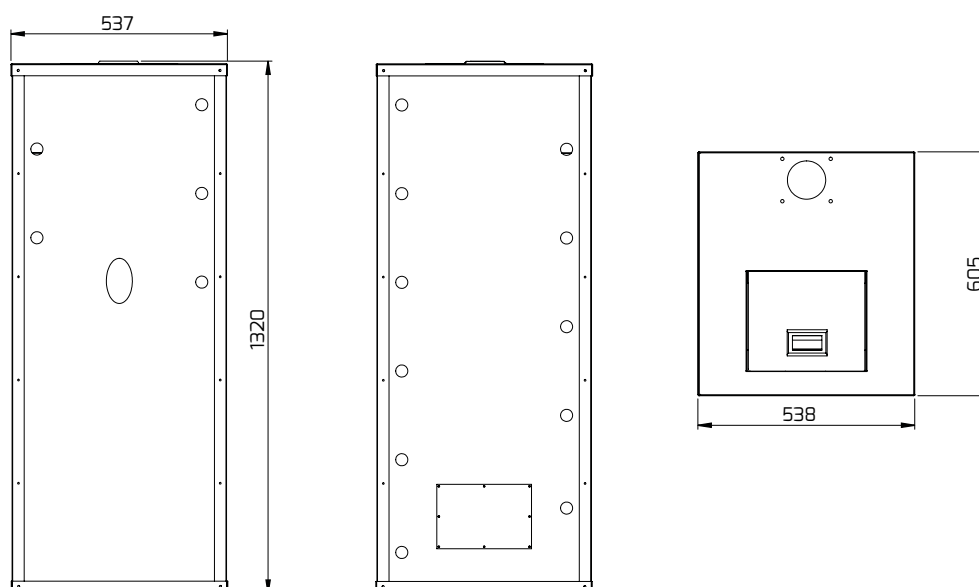


Higher Capabilities by request

MODELS AND PRICES

Model	Code	Price (VAT)
Pellets Silo (200kg)	02-0006	438,00€

DIMENSIONS (mm)



URANYUS
HEATING SOLUTIONS





FIREPLACE INSERTS AND WOOD STOVES

- > Wood Fireplace Insert (Water)
- > Wood Fireplace Insert (Air)
- > Wood Stove (Air)



WATER FIREPLACE INSERT

Alessandra

TECHNICAL FEATURES

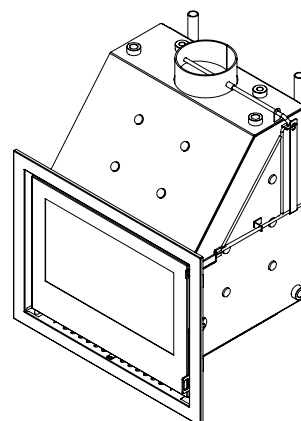
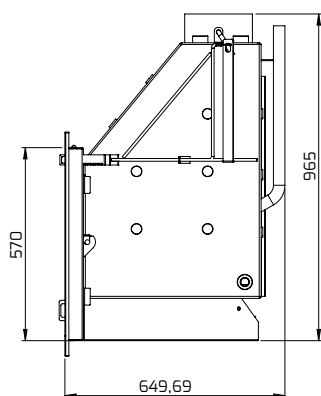
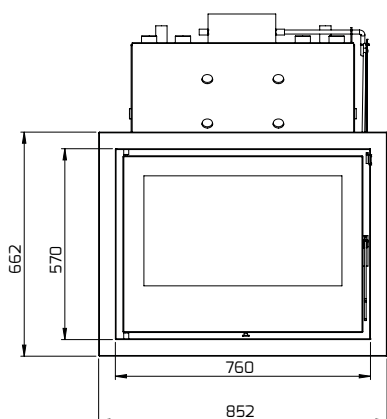
Model	ALESSANDRA
Door	Steel Plate
Type of fuel	Wood
Nominal Power	29kW
Water Power	20,5kW
Water Volume	65Lts
Efficiency	>71%
Wood Consumption	4,8 a 9 kg/h
Smoke outlet	200
Connections Admision/Return	1"
Heatable Volume	853m ³
Weight	200kg
Warranty	5 Years



MODELS AND PRICES

Model	Code	Price (VAT)
Water Fireplace Insert ALESSANDRA	07-0001	961,05€

DIMENSIONS (mm)



COMPLEMENTS

RING - BLACK						RING - INOX					
WIDTH - 5 CM			WIDTH - 10 CM			WIDTH - 5 CM			WIDTH - 10 CM		
3 SIDE	4 SIDE	LOWER	3 SIDE	4 SIDE	LOWER	3 SIDE	4 SIDE	LOWER	3 SIDE	4 SIDE	LOWER
60,26€ 07-0002	67,82€ 07-0003	24,61€ 07-0004	62,30€ 07-0005	95,65€ 07-0006	26,54€ 07-0007	103,40€ 07-0008	115,72€ 07-0009	28,70€ 07-0010	105,45€ 07-0011	135,46€ 07-0012	36,29€ 07-0013

WATER FIREPLACE INSERT

Adriana

GLASS DOOR

TECHNICAL FEATURES

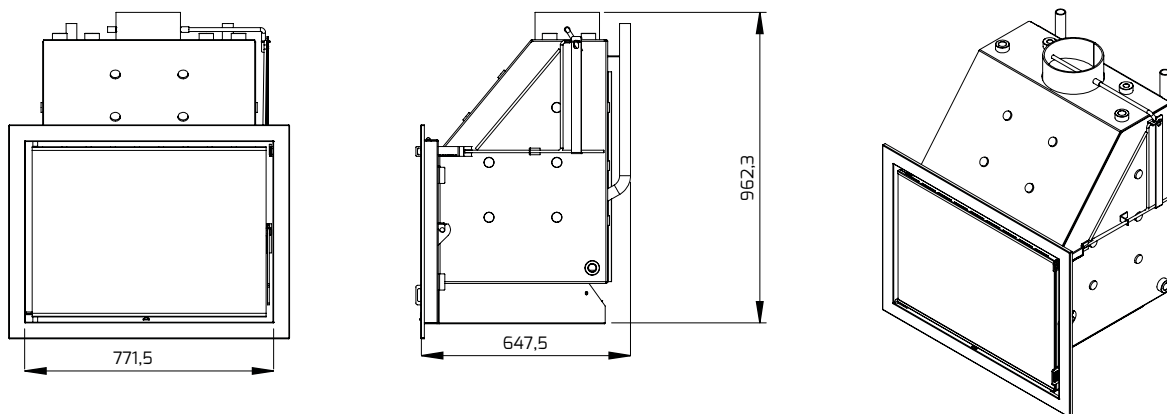
Model	ADRIANA
Door	Glass
Type of fuel	Wood
Nominal Power	29kW
Water Power	20,5kW
Water Volume	65Lts
Efficiency	>71%
Wood Consumption	4,8 a 9 kg/h
Smoke outlet	200
Connections Admision/Return	1"
Heatable Volume	853m ³
Weight	200kg
Warranty	5 Years



MODELS AND PRICES

Model	Code	Price (VAT)
Water Fireplace Insert ADRIANA	07-0014	1.058,94€

DIMENSIONS (mm)



COMPLEMENTS

RING - BLACK						RING - INOX					
WIDTH - 5 CM			WIDTH - 10 CM			WIDTH - 5 CM			WIDTH - 10 CM		
3 SIDE	4 SIDE	LOWER	3 SIDE	4 SIDE	LOWER	3 SIDE	4 SIDE	LOWER	3 SIDE	4 SIDE	LOWER
57,43€ 07-0015	66,19€ 07-0016	24,67€ 07-0017	62,19€ 07-0018	95,84€ 07-0019	26,60€ 07-0020	100,60€ 07-0021	117,68€ 07-0022	28,76€ 07-0023	105,34€ 07-0024	135,69€ 07-0025	36,34€ 07-0026

WATER FIREPLACE INSERT

Glover



TECHNICAL FEATURES

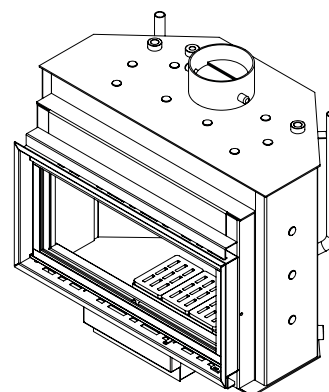
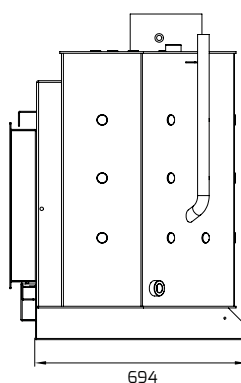
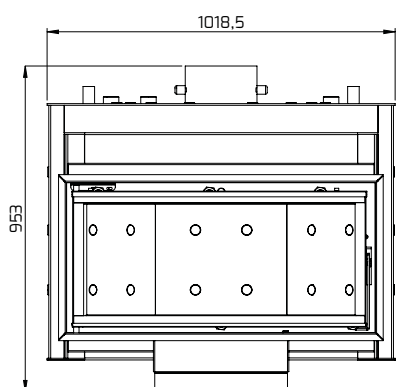
Model	GLOVER
Door	Steel Plate
Type of fuel	Wood
Nominal Power	30kW
Water Power	16,5kW
Water Volume	100Lts
Efficiency	>80%
Wood Consumption	5,0 a 9,3 kg/h
Smoke outlet	200
Connections Admision/Return	1"
Heatable Volume	882m ³
Weight	215kg
Warranty	5 Years



MODELS AND PRICES

Model	Code	Price (VAT)
Water Fireplace Insert GLOVER	07-0027	by request

DIMENSIONS (mm)



COMPLEMENTS

RING - BLACK						RING - INOX					
WIDTH - 5 CM			WIDTH - 10 CM			WIDTH - 5 CM			WIDTH - 10 CM		
3 SIDE	4 SIDE	LOWER	3 SIDE	4 SIDE	LOWER	3 SIDE	4 SIDE	LOWER	3 SIDE	4 SIDE	LOWER
by request 07-0028	by request 07-0029	by request 07-0030	by request 07-0031	by request 07-0032	by request 07-0033	by request 07-0034	by request 07-0035	by request 07-0036	by request 07-0037	by request 07-0038	by request 07-0039

WOOD FIREPLACE INSERT

Cara

DOUBLE SIDE

TECHNICAL FEATURES



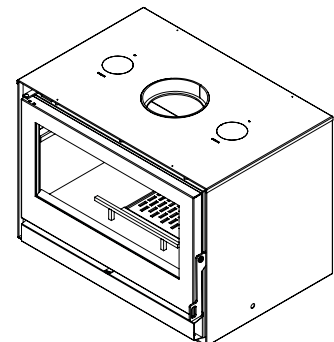
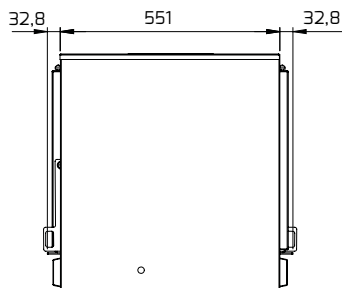
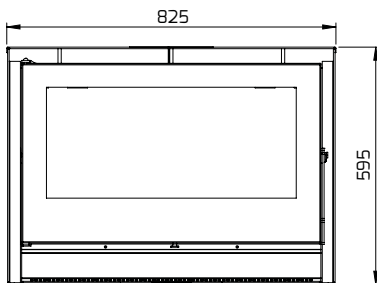
Model	CARA
Door	Steel Plate
Type of fuel	Wood
Nominal Power	12kW
Efficiency	>75%
Wood Consumption	2,0 a 3,7 kg/h
Smoke outlet	200
Heatable Volume	353m ³
Weight	130kg
Warranty	5 Years
Ventilation	Yes



MODELS AND PRICES

Model	Code	Price (VAT)
Wood Fireplace Insert CARA	08-0001	1.125,11€

DIMENSIONS (mm)



COMPLEMENTS

RING - BLACK						RING - INOX					
WIDTH - 5 CM			WIDTH - 10 CM			WIDTH - 5 CM			WIDTH - 10 CM		
3 SIDE	4 SIDE	LOWER	3 SIDE	4 SIDE	LOWER	3 SIDE	4 SIDE	LOWER	3 SIDE	4 SIDE	LOWER
56,59€ 08-0003	74,90€ 08-0004	23,97€ 08-0005	73,36€ 08-0006	93,16€ 08-0007	26,71€ 08-0008	109,45€ 08-0009	114,88€ 08-0010	25,90€ 08-0011	128,88€ 08-0012	185,00€ 08-0013	35,28€ 08-0014

WOOD FIREPLACE INSERT

Doutzen

DOUBLE SIDE

GLASS DOOR



TECHNICAL FEATURES

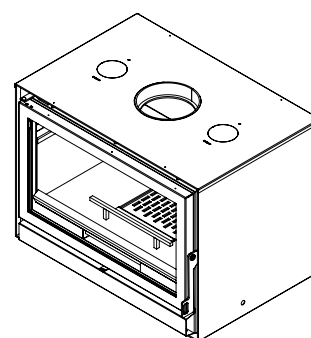
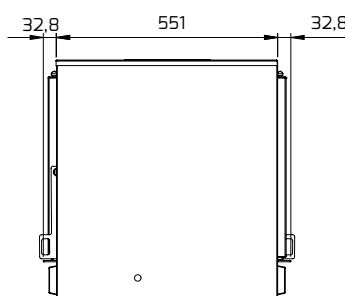
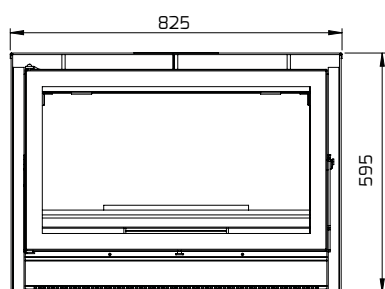
Model	DOUTZEN
Door	Glass
Type of fuel	Wood
Nominal Power	12kW
Efficiency	>75%
Wood Consumption	2,0 a 3,7 kg/h
Smoke outlet	200
Heatable Volume	353m ³
Weight	130kg
Warranty	5 Years
Ventilation	Yes



MODELS AND PRICES

Model	Code	Price (VAT)
Wood Fireplace Insert DOUTZEN	08-0002	1.347,90€

DIMENSIONS (mm)



COMPLEMENTS

RING - BLACK						RING - INOX					
WIDTH - 5 CM			WIDTH - 10 CM			WIDTH - 5 CM			WIDTH - 10 CM		
3 SIDE	4 SIDE	LOWER	3 SIDE	4 SIDE	LOWER	3 SIDE	4 SIDE	LOWER	3 SIDE	4 SIDE	LOWER
56,59€ 08-0003	74,90€ 08-0004	23,97€ 08-0005	73,36€ 08-0006	93,16€ 08-0007	26,71€ 08-0008	109,45€ 08-0009	114,88€ 08-0010	25,90€ 08-0011	128,88€ 08-0012	185,00€ 08-0013	35,28€ 08-0014

WOOD FIREPLACE INSERT

Natalia

GLASS DOOR

TECHNICAL FEATURES

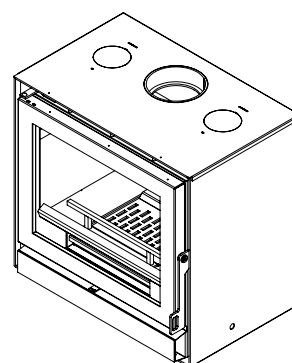
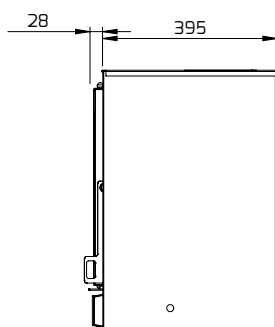
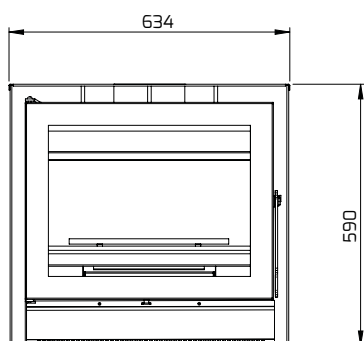
Model	NATALIA
Door	Glass
Type of fuel	Wood
Nominal Power	8,5kW
Efficiency	>71%
Wood Consumption	1,4 a 2,6 kg/h
Smoke outlet	150
Heatable Volume	250m ³
Weight	85kg
Warranty	5 Years
Ventilation	Yes



MODELS AND PRICES

Model	Code	Price (VAT)
Wood Fireplace Insert NATALIA	08-0015	737,16€

DIMENSIONS (mm)



COMPLEMENTS

RING - BLACK						RING - INOX					
WIDTH - 5 CM			WIDTH - 10 CM			WIDTH - 5 CM			WIDTH - 10 CM		
3 SIDE	4 SIDE	LOWER	3 SIDE	4 SIDE	LOWER	3 SIDE	4 SIDE	LOWER	3 SIDE	4 SIDE	LOWER
56,20€ 08-0017	65,94€ 08-0018	21,67€ 08-0019	60,59€ 08-0020	92,18€ 08-0021	23,52€ 08-0022	84,03€ 08-0023	93,07€ 08-0024	21,84€ 08-0025	103,77€ 08-0026	132,02€ 08-0027	29,09€ 08-0028

WOOD FIREPLACE INSERT

Gisele

GLASS DOOR



TECHNICAL FEATURES

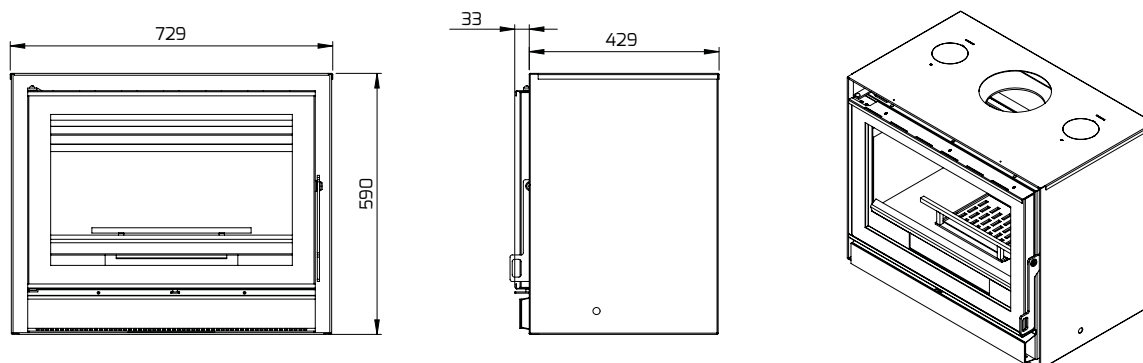
Model	GISELE
Door	Glass
Type of fuel	Wood
Nominal Power	9,5kW
Efficiency	>71%
Wood Consumption	1,6 a 2,9 kg/h
Smoke outlet	180
Heatable Volume	279m ³
Weight	94kg
Warranty	5 Years
Ventilation	Yes



MODELS AND PRICES

Model	Code	Price (VAT)
Wood Fireplace Insert GISELE	08-0029	824,49€

DIMENSIONS (mm)



COMPLEMENTS

RING - BLACK						RING - INOX					
WIDTH - 5 CM			WIDTH - 10 CM			WIDTH - 5 CM			WIDTH - 10 CM		
3 SIDE	4 SIDE	LOWER	3 SIDE	4 SIDE	LOWER	3 SIDE	4 SIDE	LOWER	3 SIDE	4 SIDE	LOWER
24,64€ 08-0031	65,24€ 08-0032	8,96€ 08-0033	24,64€ 08-0034	79,18€ 08-0035	8,96€ 08-0036	114,30€ 08-0037	6,44€ 08-0038	3,36€ 08-0039	6,44€ 08-0040	132,47€ 08-0041	3,36€ 08-0042

WOOD FIREPLACE INSERT

Miranda

GLASS DOOR

TECHNICAL FEATURES



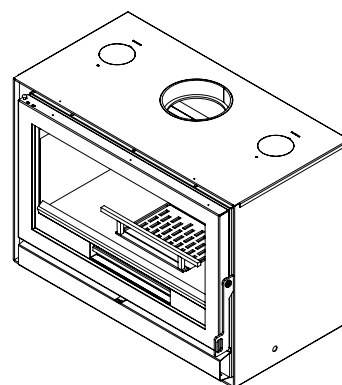
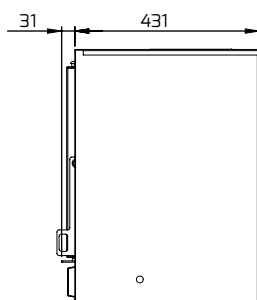
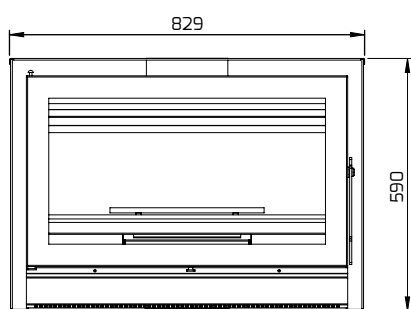
Model	MIRANDA
Door	Glass
Type of fuel	Wood
Nominal Power	11kW
Efficiency	>71%
Wood Consumption	1,8 a 3,4 kg/h
Smoke outlet	180
Heatable Volume	323m ³
Weight	110kg
Warranty	5 Years
Ventilation	Yes



MODELS AND PRICES

Model	Code	Price (VAT)
Wood Fireplace Insert MIRANDA	08-0043	934,59€

DIMENSIONS (mm)



COMPLEMENTS

RING - BLACK						RING - INOX					
WIDTH - 5 CM			WIDTH - 10 CM			WIDTH - 5 CM			WIDTH - 10 CM		
3 SIDE	4 SIDE	LOWER	3 SIDE	4 SIDE	LOWER	3 SIDE	4 SIDE	LOWER	3 SIDE	4 SIDE	LOWER
68,63€ 08-0045	67,26€ 08-0046	24,30€ 08-0047	73,33€ 08-0048	93,24€ 08-0049	26,71€ 08-0050	111,86€ 08-0051	114,86€ 08-0052	26,24€ 08-0053	128,86€ 08-0054	185,08€ 08-0055	35,31€ 08-0056

WOOD FIREPLACE INSERT

Katarina

GLASS DOOR



TECHNICAL FEATURES

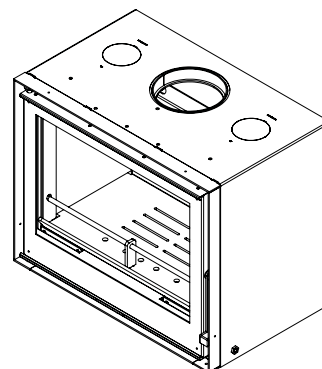
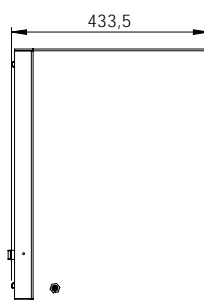
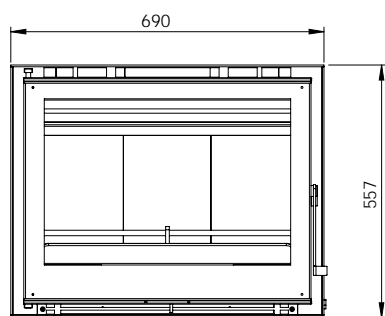
Model	KATARINA
Door	Glass
Type of fuel	Wood
Nominal Power	13,5kW
Efficiency	>80%
Wood Consumption	-
Smoke outlet	180
Heatable Volume	-
Weight	100kg
Warranty	5 Years
Ventilation	Yes



MODELS AND PRICES

Model	Code	Price (VAT)
Wood Fireplace Insert KATARINA	08-0057	962,00€

DIMENSIONS (mm)



COMPLEMENTS

RING - BLACK						RING - INOX					
WIDTH - 5 CM			WIDTH - 10 CM			WIDTH - 5 CM			WIDTH - 10 CM		
3 SIDE	4 SIDE	LOWER	3 SIDE	4 SIDE	LOWER	3 SIDE	4 SIDE	LOWER	3 SIDE	4 SIDE	LOWER
by request 08-0058	by request 08-0059	by request 08-0060	by request 08-0061	by request 08-0062	by request 08-0063	by request 08-0064	by request 08-0065	by request 08-0066	by request 08-0067	by request 08-0068	by request 08-0069

WOOD FIREPLACE INSERT

Karina

GLASS DOOR

TECHNICAL FEATURES



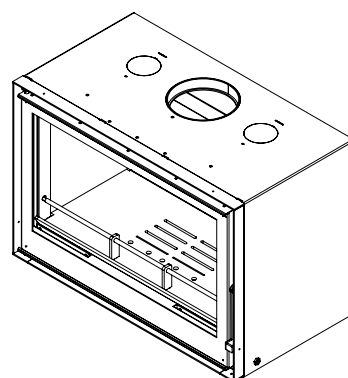
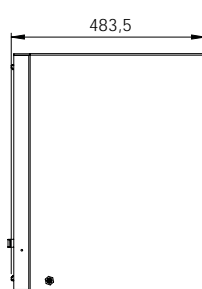
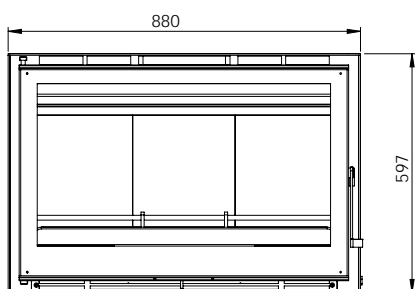
Model	KARINA
Door	Glass
Type of fuel	Wood
Nominal Power	15,4kW
Efficiency	>75,5%
Wood Consumption	-
Smoke outlet	200
Heatable Volume	-
Weight	150kg
Warranty	5 Years
Ventilation	Yes



MODELS AND PRICES

Model	Code	Price (VAT)
Wood Fireplace Insert KARINA	08-0096	1.433,19€

DIMENSIONS (mm)



COMPLEMENTS

RING - BLACK						RING - INOX					
WIDTH - 5 CM			WIDTH - 10 CM			WIDTH - 5 CM			WIDTH - 10 CM		
3 SIDE	4 SIDE	LOWER	3 SIDE	4 SIDE	LOWER	3 SIDE	4 SIDE	LOWER	3 SIDE	4 SIDE	LOWER
by request 08-0097	by request 08-0098	by request 08-0099	by request 08-0100	by request 08-0101	by request 08-0102	by request 08-0103	by request 08-0104	by request 08-0105	by request 08-0106	by request 08-0107	by request 08-0108

WOOD FIREPLACE INSERT

Kate

TECHNICAL FEATURES

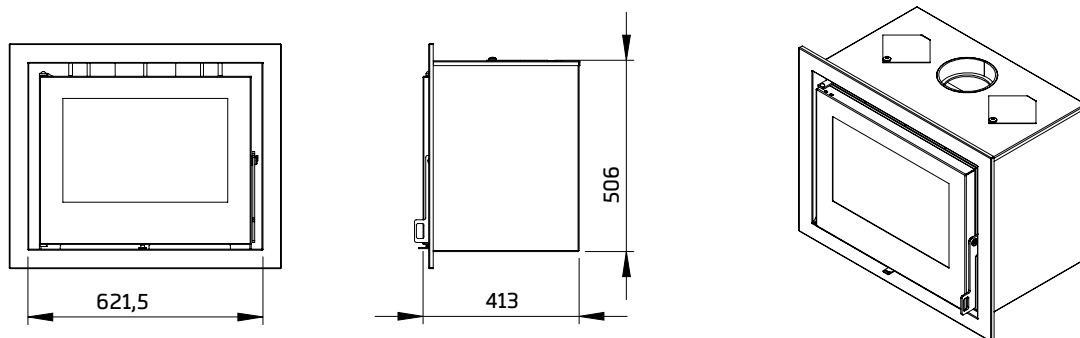
Model	KATE
Door	Steel Plate
Type of fuel	Wood
Nominal Power	7,5kW
Efficiency	>68%
Wood Consumption	1,3 - 2,3kg/h
Smoke outlet	150
Heatable Volume	220m ³
Weight	73kg
Warranty	5 Years
Ventilation	No



MODELS AND PRICES

Model	Code	Price (VAT)
Wood Fireplace Insert KATE	08-0070	559,79€

DIMENSIONS (mm)



COMPLEMENTS

RING - BLACK						RING - INOX					
WIDTH - 5 CM			WIDTH - 10 CM			WIDTH - 5 CM			WIDTH - 10 CM		
3 SIDE	4 SIDE	LOWER	3 SIDE	4 SIDE	LOWER	3 SIDE	4 SIDE	LOWER	3 SIDE	4 SIDE	LOWER
53,06€ 08-0071	62,41€ 08-0072	21,67€ 08-0073	60,00€ 08-0074	71,74€ 08-0075	23,52€ 08-0076	71,68€ 08-0077	93,10€ 08-0078	21,84€ 08-0079	103,15€ 08-0080	105,76€ 08-0081	29,09€ 08-0082

WOOD FIREPLACE INSERT

Karlie



TECHNICAL FEATURES

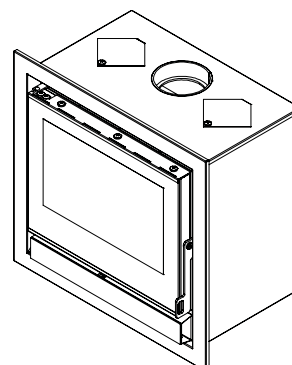
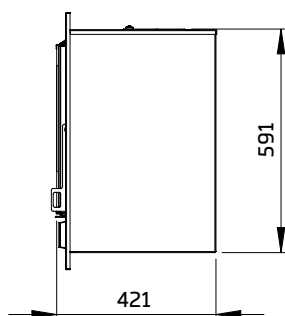
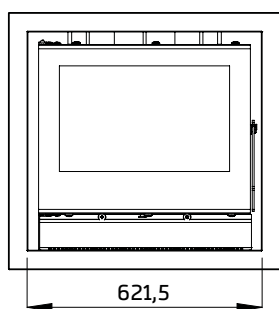
Model	KARLIE
Door	Steel Plate
Type of fuel	Wood
Nominal Power	8,5kW
Efficiency	>71%
Wood Consumption	1,4 a 2,6kg/h
Smoke outlet	150
Heatable Volume	250m ³
Weight	85kg
Warranty	5 Years
Ventilation	Yes



MODELS AND PRICES

Model	Code	Price (VAT)
Wood Fireplace Insert KARLIE	08-0016	631,50€

DIMENSIONS (mm)



COMPLEMENTS

RING - BLACK						RING - INOX					
WIDTH - 5 CM			WIDTH - 10 CM			WIDTH - 5 CM			WIDTH - 10 CM		
3 SIDE	4 SIDE	LOWER	3 SIDE	4 SIDE	LOWER	3 SIDE	4 SIDE	LOWER	3 SIDE	4 SIDE	LOWER
56,20€ 08-0017	65,94€ 08-0018	21,67€ 08-0019	60,59€ 08-0020	92,18€ 08-0021	23,52€ 08-0022	84,03€ 08-0023	93,07€ 08-0024	21,84€ 08-0025	103,77€ 08-0026	132,02€ 08-0027	29,09€ 08-0028

WOOD FIREPLACE INSERT

Kendall

TECHNICAL FEATURES



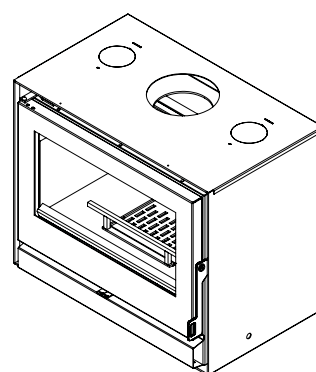
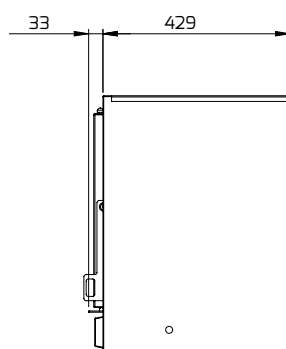
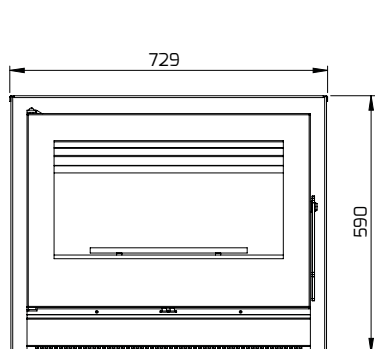
Model	KENDALL
Door	Steel Plate
Type of fuel	Wood
Nominal Power	9,5kW
Efficiency	>71%
Wood Consumption	1,6 - 2,9kg/h
Smoke outlet	180
Heatable Volume	279m ³
Weight	94kg
Warranty	5 Years
Ventilation	Yes



MODELS AND PRICES

Model	Code	Price (VAT)
Wood Fireplace Insert KENDALL	08-0030	747,53€

DIMENSIONS (mm)



COMPLEMENTS

RING - BLACK						RING - INOX					
WIDTH - 5 CM			WIDTH - 10 CM			WIDTH - 5 CM			WIDTH - 10 CM		
3 SIDE	4 SIDE	LOWER	3 SIDE	4 SIDE	LOWER	3 SIDE	4 SIDE	LOWER	3 SIDE	4 SIDE	LOWER
24,64€ 08-0031	65,24€ 08-0032	8,96€ 08-0033	24,64€ 08-0034	79,18€ 08-0035	8,96€ 08-0036	114,30€ 08-0037	6,44€ 08-0038	3,36€ 08-0039	6,44€ 08-0040	132,47€ 08-0041	3,36€ 08-0042



WOOD FIREPLACE INSERT

Liu

TECHNICAL FEATURES



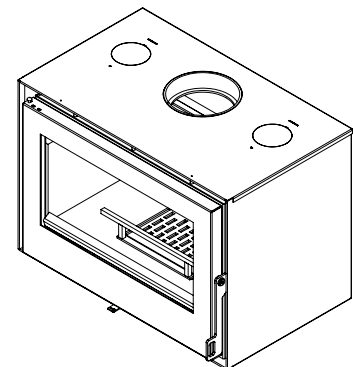
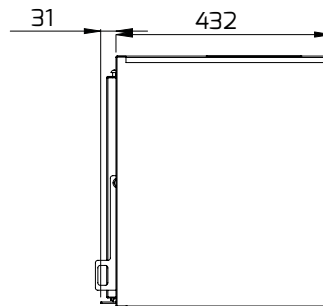
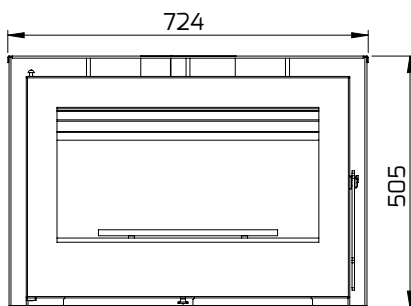
Model	LIU
Door	Steel Plate
Type of fuel	Wood
Nominal Power	9,5kW
Efficiency	>68%
Wood Consumption	1,6 - 2,9kg/h
Smoke outlet	180
Heatable Volume	279m³
Weight	80kg
Warranty	5 Years
Ventilation	No



MODELS AND PRICES

Model	Code	Price (VAT)
Wood Fireplace Insert LIU	08-0083	626,89€

DIMENSIONS (mm)



COMPLEMENTS

RING - BLACK						RING - INOX					
WIDTH - 5 CM			WIDTH - 10 CM			WIDTH - 5 CM			WIDTH - 10 CM		
3 SIDE	4 SIDE	LOWER	3 SIDE	4 SIDE	LOWER	3 SIDE	4 SIDE	LOWER	3 SIDE	4 SIDE	LOWER
64,96€ 08-0084	62,10€ 08-0085	23,49€ 08-0086	67,76€ 08-0087	72,04€ 08-0088	25,65€ 08-0089	108,19€ 08-0090	113,79€ 08-0091	24,84€ 08-0092	110,96€ 08-0093	106,04€ 08-0094	31,92€ 08-0095

WOOD FIREPLACE INSERT

Lara

TECHNICAL FEATURES

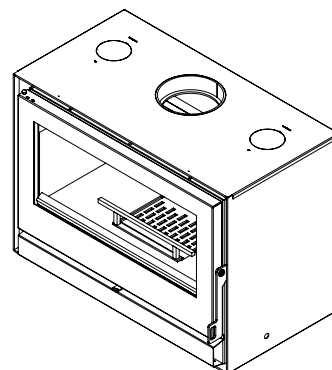
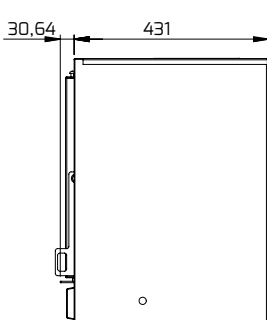
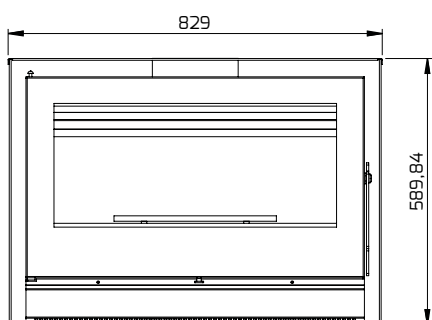
Model	LARA
Door	Steel Plate
Type of fuel	Wood
Nominal Power	11kW
Efficiency	>71%
Wood Consumption	1,8 - 3,4kg/h
Smoke outlet	180
Heatable Volume	323m ³
Weight	110kg
Warranty	5 Years
Ventilation	Yes



MODELS AND PRICES

Model	Code	Price (VAT)
Wood Fireplace Insert LARA	08-0044	882,25€

DIMENSIONS (mm)



COMPLEMENTS

RING - BLACK						RING - INOX					
WIDTH - 5 CM			WIDTH - 10 CM			WIDTH - 5 CM			WIDTH - 10 CM		
3 SIDE	4 SIDE	LOWER	3 SIDE	4 SIDE	LOWER	3 SIDE	4 SIDE	LOWER	3 SIDE	4 SIDE	LOWER
68,63€ 08-0045	67,26€ 08-0046	24,30€ 08-0047	73,33€ 08-0048	93,24€ 08-0049	26,71€ 08-0050	111,86€ 08-0051	114,86€ 08-0052	26,24€ 08-0053	128,86€ 08-0054	185,08€ 08-0055	35,31€ 08-0056

WOOD STOVE

Joan



TECHNICAL FEATURES

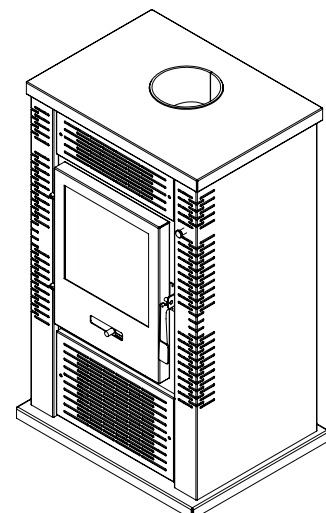
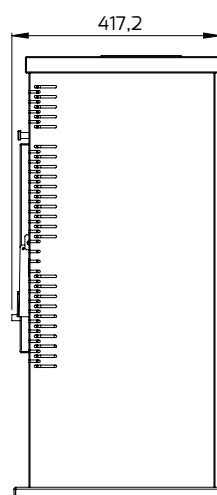
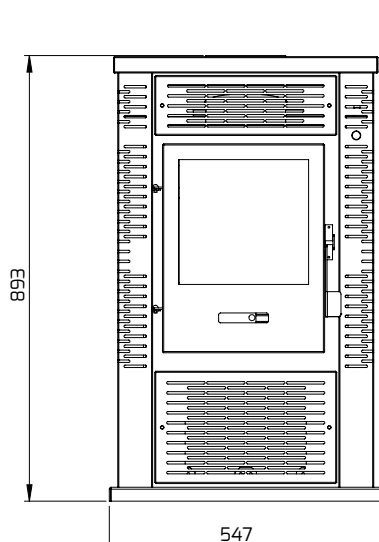
Model	JOAN
Door	Steel Plate
Type of fuel	Wood
Nominal Power	10,5kW
Efficiency	>76%
Wood Consumption	1,8 - 3,3kg/h
Smoke outlet	150
Heatable Volume	308m ³
Warranty	5 Years
Ventilation	Yes

MODELS AND PRICES

Model	Code	Price (VAT)
Wood Stove JOAN	09-0001	761,80€



DIMENSIONS (mm)



WOOD STOVE

Jourdan

TECHNICAL FEATURES

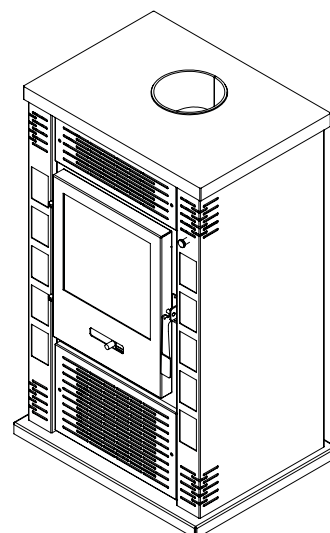
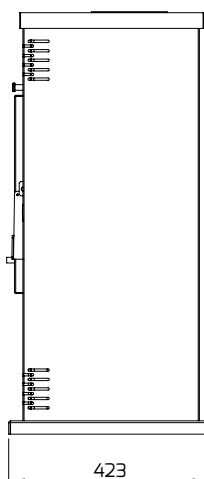
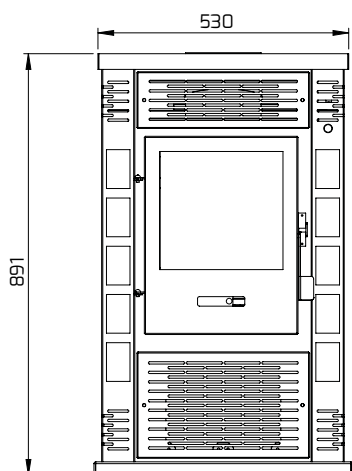
Model	JOURDAN
Door	Steel Plate
Type of fuel	Wood
Nominal Power	10,5kW
Efficiency	>76%
Wood Consumption	1,8 - 3,3kg/h
Smoke outlet	150
Heatable Volume	308m ³
Warranty	5 Years
Ventilation	Yes

MODELS AND PRICES

Model	Code	Price (VAT)
Wood Stove JOURDAN	09-0002	791,80€



DIMENSIONS (mm)



WOOD STOVE

Candice



TECHNICAL FEATURES

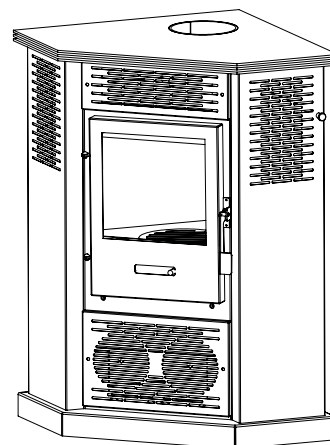
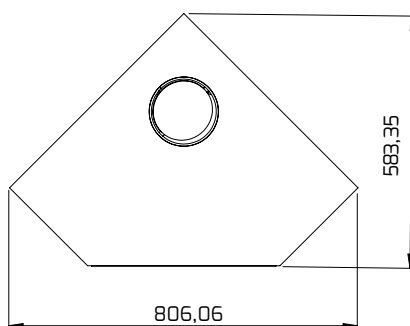
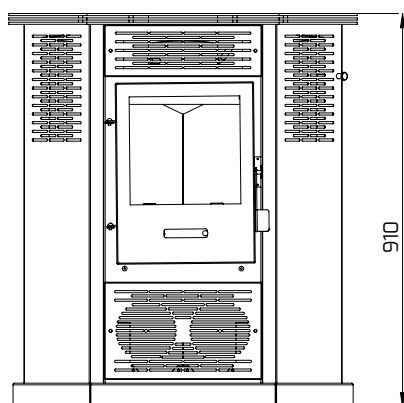
Model	CANDICE
Door	Steel Plate
Type of fuel	Wood
Nominal Power	10,5kW
Efficiency	>76%
Wood Consumption	1,8 - 3,3kg/h
Smoke outlet	150
Heatable Volume	308m ³
Warranty	5 Years
Ventilation	Yes

MODELS AND PRICES

Model	Code	Price (VAT)
Wood Stove CANDICE	09-0003	979,68€



DIMENSIONS (mm)



WOOD STOVE

Carolyn



TECHNICAL FEATURES

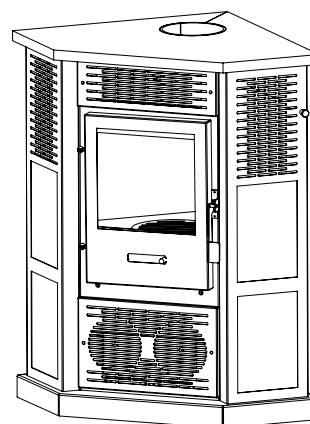
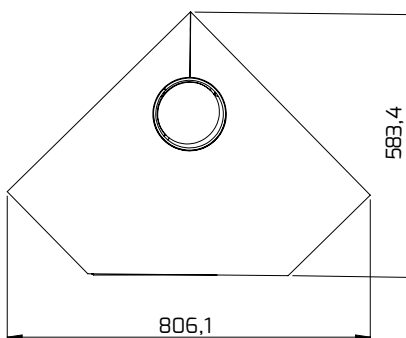
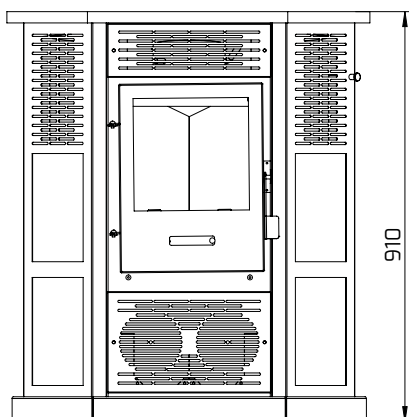
Model	CRINGLYN
Door	Steel Plate
Type of fuel	Wood
Nominal Power	10,5kW
Efficiency	>76%
Wood Consumption	1,8 - 3,3kg/h
Smoke outlet	150
Heatable Volume	308m ³
Warranty	5 Years
Ventilation	Yes

MODELS AND PRICES

Model	Code	Price (VAT)
Wood Stove CAROLYN	09-0004	820,93€



DIMENSIONS (mm)



WOOD STOVE

Ofélia



TECHNICAL FEATURES

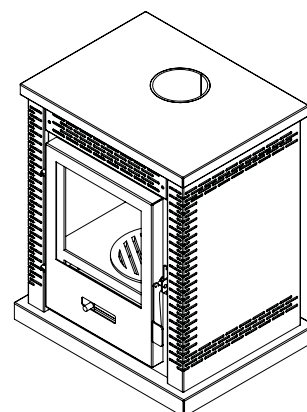
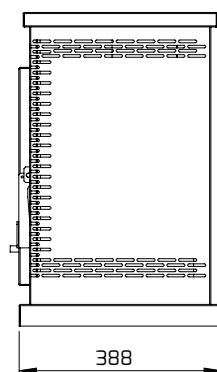
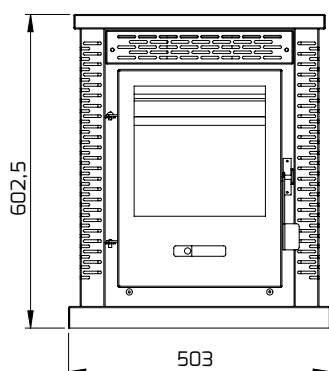
Model	OFÉLIA
Door	Steel Plate
Type of fuel	Wood
Nominal Power	9kW
Efficiency	>70%
Wood Consumption	1,5 - 2,8kg/h
Smoke outlet	115
Heatable Volume	264m ³
Warranty	5 Years
Ventilation	No

MODELS AND PRICES

Model	Code	Price (VAT)
Wood Stove OFÉLIA	09-0005	502,20€



DIMENSIONS (mm)



GENERAL TERMS AND CONDITIONS OF SALE

The price does not include VAT if applicable customs duties and import levies or any similar duties or levies. The specifications described in this catalog may be subject to change without notice due to typographical errors or technical changes that have been made to the product for the purpose of improving it.

- The orders are always subject to Uranyus's approval. Uranyus shall have the faculty of cancelling orders, should a customer's insolvencies, even towards third parties, come to light, unless the customer opts for paying the entire due sum in advance.
- The delivery schedule agreed to shall always be intended as approximate. Excessive delivery delays caused by force majeure shall not give rise to the right to compensation for damages or result in the cancellation of any orders that have already been prepared.
- Complaints must be made in writing by means of registered post, eight days as of the date of receipt of the goods. No complaints shall be accepted following this deadline. The same do not suspend payments for invoices.
- Payments must only be made to our address at the conditions agreed to. Payments made to companies or persons other than those authorised by us shall not be recognised.



URANYUS[®]

HEATING SOLUTIONS

WWW.URANYUS.COM

INFO@URANYUS.COM